

## Croma Select S

Croma Select S 1jet hand shower EcoSmart 7 l/min

Surfaces: **white/chrome** Article Number: **26806400**

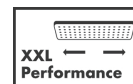


### Description

#### product features

- shower head size: 110 mm
- spray type: Rain
- maximum flow rate (at 0.3 MPa): 7 l/min
- with internal water conduction
- rinseable dirt filter
- connection thread G 1/2
- connection dimension: DN15
- suitable for continuous flow water heaters

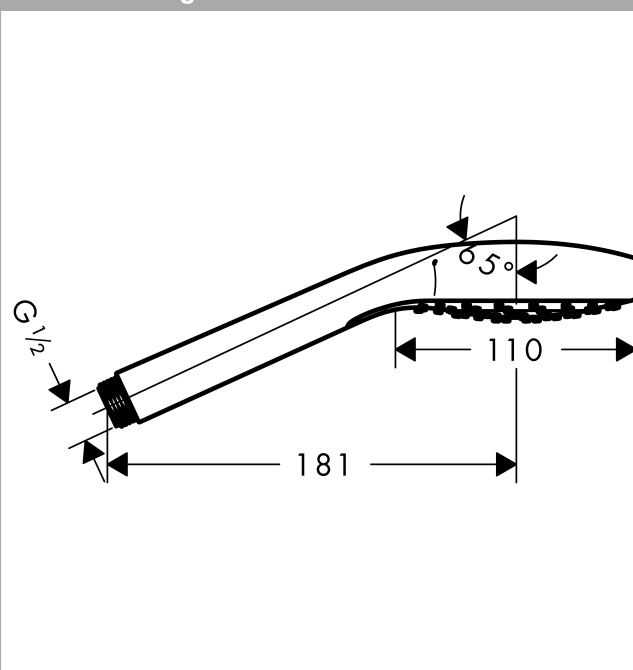
### Technology



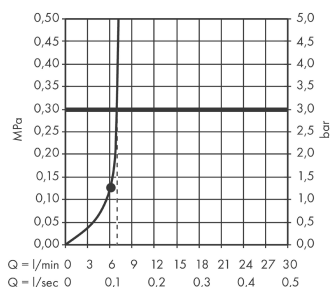
### Product image



### Scale drawing



### Flowchart



The consumption was measured in combination with the appropriate fittings (thermostat/mixer/in-wall valve) to reflect actual application in practice.