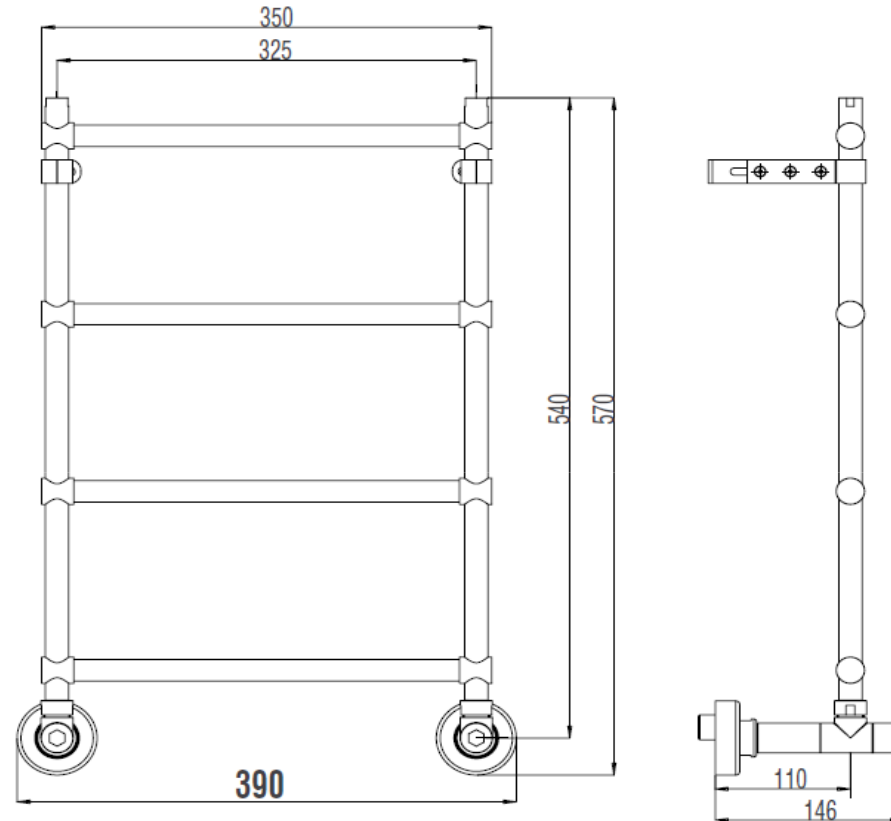
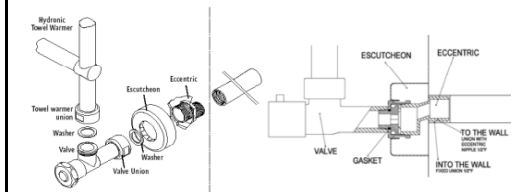




3-442 MINI



Scaldasalviette fisso componibile, in tubo tondo Ø18mm.
MODULO AGIUNTIVO: 150mm
VERSIONE COMBINATA: non disponibile
VERSIONE MONOTUBO: non disponibile
MONTAGGIO A PAVIMENTO: non disponibile
SPORGENZA DAL MURO: 146mm



Fixed modular heated towel rail in brass tube Ø18mm.
ADDITIONAL MODULE: 150mm
COMBINED VERSION: not available
SINGLE TUBE VERSION: not available
FLOOR CONNECTION: not available
DISTANCE FROM THE WALL: 146mm

Tutti gli altri articoli ad acqua calda / All the other hot water heated towel rails / Все другие предметы в горячей воде

TO THE WALL: union with eccentric nipple 1/2" M
INTO THE WALL: fixed union 1/2" F

Oppure a richiesta / Or on request / no zaprosy

Adaptor kit for copper tube Ø10-12-14-16 mm
Adaptor kit for tube Ø10-12-14-16 mm

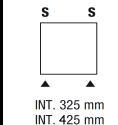
Стационарный модульный полотенцесушитель из латунной трубы диаметром Ø18 мм.
Дополнительный модуль: 150мм
Комбинированная версия: Недоступный
Однотрубная версия: Недоступный
Напольное подсоединение: Недоступный
Расстояние от стены: 146мм

OPTIONAL

TECHNICAL NOTES
no. 2 valves supplied
assembled without welding
Specify in the order: material and diameter of the connection pipe

SPARE PARTS
SC0000AB09CR

MAXIMAL WORKING PRESSURE: 600 kPa
STANDARD TESTING PRESSURE: 800 kPa
TESTING PRESSURE IN LABORATORY: 1500 kPa
MAXIMAL WORKING TEMPERATURE: 95°C
MATERIAL: BRASS



ART.	SERIES	INT.(mm)	ΔT50°C (TG)			ΔT50°C (TG+V)			ΔT50°C (V)			ΔT30°C (TG)			WEIGHT
			watt	kcal/h	btu	watt	kcal/h	btu	watt	kcal/h	btu	watt	kcal/h	btu	
3-442	MINI	325	107	92	365	128	117	463	139	120	476	56	48	189	4,2
3-442	MINI	425	117	101	400	140	127	507	152	131	520	61	52	207	5,2

Le misure si intendono indicative e devono essere verificate in sede di installazione. I dati tecnici riportati nella presente documentazione non sono impegnativi. MARGAROLI SRL si riserva di apportare in qualsiasi momento tutte le modifiche ritenute necessarie per il miglioramento del prodotto.
The measures showed are indicative and must be verified before installation. Technical data shown in this booklet are not binding. MARGAROLI SRL shall have the right to introduce at any whatever modifications deemed necessary to the improvement of the product.