

**Croma Select E**  
**Croma Select E Vario hand shower EcoSmart 9l/min**  
 Surfaces: **white/chrome** Article Number: **26813400**

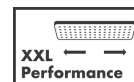


## Description

### product features

- shower head size: 110 mm
- convenient diversion via Select button
- spray type: Rain, TurboRain, IntenseRain
- maximum flow rate (at 0.3 MPa): 9 l/min
- with internal water conduction
- rinseable dirt filter
- connection thread G ½
- connection dimension: DN15
- suitable for continuous flow water heaters

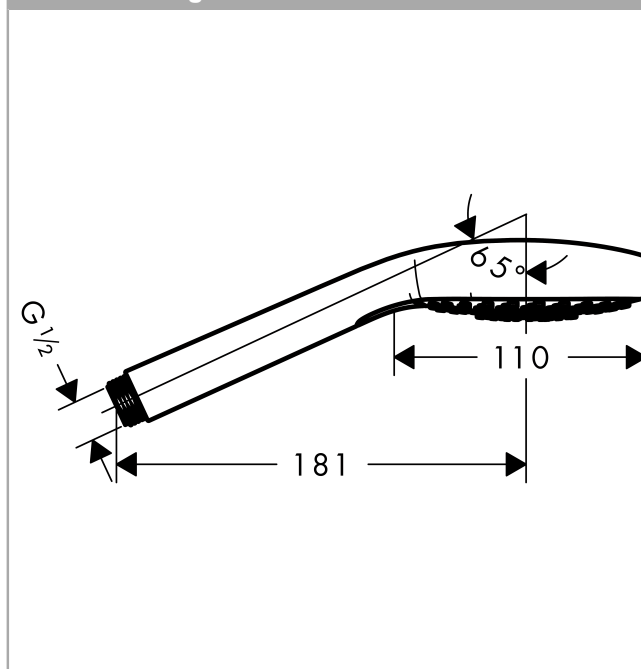
## Technology



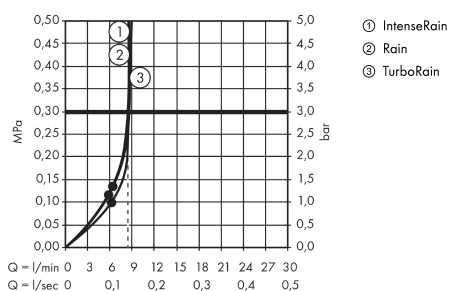
## Product image



## Scale drawing



## Flowchart



The consumption was measured in combination with the appropriate fittings (thermostat/mixer/in-wall valve) to reflect actual application in practice.